

**Roller Blind Shading Series  
RoIPro**

**Product Features and Planning Recommendations.**

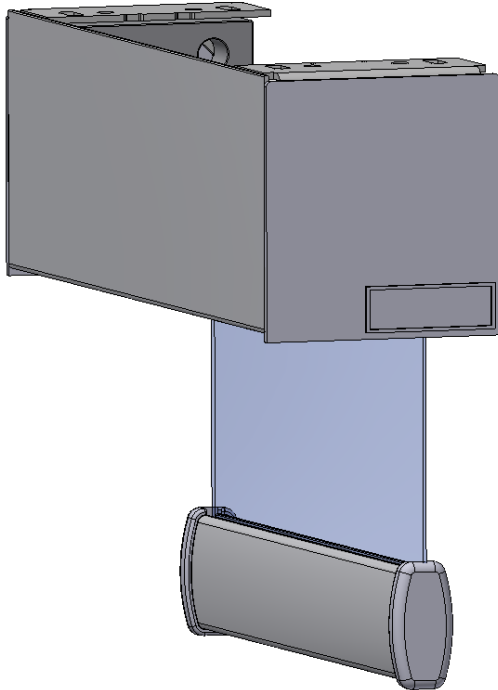


## Roller Blind Shading Series RolPro

### Product Features and Planning Recommendations.



### Overview.



RolPro is the durable roller blind solution for commercial projects available in different series.

**RolPro manual**

**RolPro motorized**

**RolPro dual manual**

**RolPro dual motorized**

**Rolpro Roller blind system – smooth in operation with rock solid durability.** This versatile roller blind system was developed especially with the demands of commercial projects in mind. No compromises – easy installation, smooth operation and long lasting quality. It all comes in a timeless and understated design that puts the architecture of the building at first place. Developed and manufactured in Germany.

**Installation made easy.** Self adjusting mounting brackets made of stainless steel for side, top or end mounting. Horizontal adjustment of the 41mm aluminium tube by simply adjusting an Allen head screw. The tube with the screen fabrics can be taken out easily by just lifting it up and a short horizontal movement. No tools required.

**Design as you need it.** Fascias for front and side can added by simply clipping them on – hiding and protecting the roller blind system.

**Smooth as silk.** Even large sized roller blinds can be operated without effort and friction. The stainless steel ball chain slides easily through the gear made of high performance plastics.

**Rock solid.** Stainless steel brackets with a thickness of 2mm, stainless steel operating cord, strong aluminium bars and carefully chosen plastic materials leave no possibilities for failure.

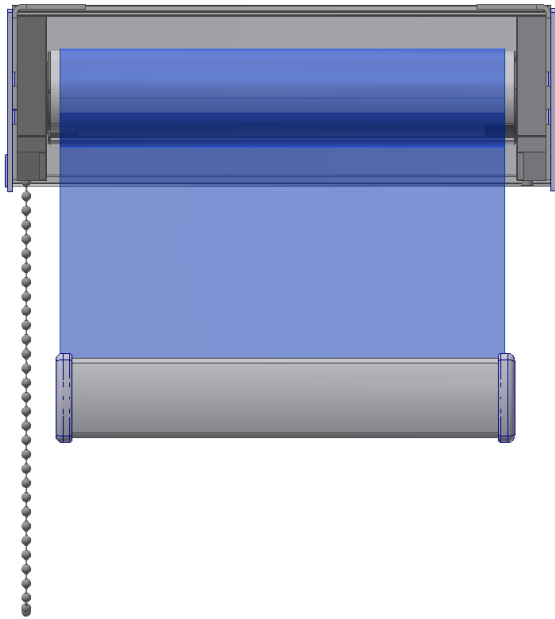
## Roller Blind Shading Series RoIPro



### Product Features and Planning Recommendations.

Minimum light gap. The roller blind gear is just about 13mm thick leaving a light gap of less than 17mm at each side of the roller blind providing seamless sun protection.

Well guided. Guide wires or side channels help keeping the fabrics in place.



#### Product Features RoIPro

- Optimized system for smooth operation
- 2mm thick stainless steel brackets, no corrosive materials used
- Easy and efficient installation
- Adjustment of brackets and tube
- Small light gap
- Easy maintenance access with removable fascia



#### Product Features RoIPro Motorized

- Special silent motor
- Efficient installation – maintenance and installation in the brackets with easy snap in mechanism and removable fascia.
- 2mm thick stainless steel brackets, no corrosive materials used
- Easy and efficient installation
- Adjustment of brackets and tube
- Small light gap
- Powerful motor with 6 Nm
- Extremely silent
- 20-30 RPM

**Roller Blind Shading Series  
RoIPro**

**Product Features and Planning Recommendations.**



**Motorization Options**

Motor diameter: 35 millimeters  
Power: 230 Volts AC / 50 Hz  
Protection level: IP 44  
Running time: 4 Minutes  
Operation temperature: -10C/+40C

**Motor Type: TBM-3ML**

Torque: 3 Nm  
30 Rotations per minute  
Power consumption: 90 Watts  
Noise level: 39 DB (A)\*

**Motor Type: TBM-6ML**

Torque: 6 Nm  
20 Rotations per minute  
Power consumption: 120 Watts  
Noise level: 39 DB (A)\*

**Motor Type: TBM-3ELR**

Torque: 3 Nm  
30 Rotations per Minute  
Power consumption: 90 Watts  
Noise level: 39 DB (A)\*  
Electronic limit setting  
Radio control receiver integrated (868.3 MHz)

**Motor Type: TBM-6ELR**

Torque: 6 Nm  
20 Rotations per Minute  
Power consumption: 120 Watts  
Noise level: 39 DB (A)\*  
Electronic limit setting  
Radio control receiver integrated (868.3 MHz)

(\*) Average noise level of the motor that is recorded in an acoustic room at a distance of 1m.

Technical data are subject to change.